

LISTA DE REFACCION

MODELO LS1018L

Pos.	NUMERO	DESCRIPCION	Cant.	NOTA
001	JM23100006	CROSS HEAD SCREW M5X20	2	
002	JM23100007	FLAT WASHER 5	2	
003	JM23100008	PAD	4	
004	JM23100009	LOCKNUT M10	1	
005	JM23100010	FLAT WASHER 10	2	
006	JM23100300	BASE COMPLETE INC. 7	1	
007	JM23100012	MITER SCALE LABEL	1	
009	JM23100013	KNOB FOR EXT.WING	2	
010	JM23100014	CROSS HEAD SCREW M4X15	2	
013	JM23100017	FRICTION PLATE	2	
014	JM23100018	LOCK PLATE A	1	
015	JM23100019	CROSS HEAD SCREW M4X18	2	
016	JM23100020	LOCK PLATE B	1	
017	JM23100021	LOCK SPRING	1	
018	JM23100022	LOCK PIN	1	
019	JM23100023	PRESS PLATE	1	
020	JM23100024	LOCK SHAFT B	1	
021	JM23100025	WORKING TABLE LOCKING BRACKET	1	
022	JM23100026	LOCK SHAFT A	1	
023	JM23100027	MITER LOCKING HANDLE	1	
024	JM23200100	WORKING TABLE COMPLETE INC. 32,34,35	1	
025	JM23100029	TABLE INSERT	2	
026	JM23100030	MITER POINTER	1	
027	JM23100031	CROSS HEAD SCREW M5X15	2	
028	JM23100032	PIVOT SHAFT	1	
030	JM23100034	HEX BOLT M6X28	1	
031	JM23100035	ANTI-LOOSEN RING	2	
032	JM23200004	BEVEL SCALE	1	
033	JM23100037	FRICTION RING	1	
034	JM23100038	ELASTIC PIN 4X20	1	
035	JM23100039	LOCKING ROD	1	
036	JM23100040	H.S.BOLT M6X20	3	
037	JM23100041	FLAT WASHER	4	
038	JM23200005	45DEGREE LIMIT BRACKET	1	
039	JM23100043	RETAINING RING 10	1	
040	JM23100044	FLAT WASHER 12X20X1	1	
041	JM23100045	ANGLE LIMIT SHAFT	1	
042	JM23100046	90DEGREE BLOCK SPRING	1	
043	JM23100047	90DEGREE BLOCK	1	
044	JM23100048	BEVEL POINTER	1	
045	JM23100049	MITER PRESSION SPRING	1	
046	JM23100330	SUPPORT ARM COMPLETE INC. 77,79-81,83,243-246,256	1	
047	JM23100051	LIMITED KNOB	1	
048	JM23100052	CLAMP PLATE	1	
049	JM23100053	BOWL TYPE PLATE	1	
050	JM23100054	SURFACE BEARING	1	
051	JM23100055	BIG FLAT WASHER 10X26X2.5	2	
052	JM23100056	SLIDING BRACKET COVER	1	
053	JM23100057	HEX NUT	1	
054	JM23100058	BEVEL LOCKING HANDLE	1	
055	*****	*****	***	*****
056	JM23100060	FLAT WASHER 8	4	
057	JM23100061	SPRING WASHER 8	4	
058	JM23100062	HEX BOLT M8X30	4	
059	JM23100063	KEY	1	
060	JM23100320	SUB FENCE COMPLETE	1	
061	JM23100065	CROSS HEAD SCREW M4X8	2	
062	JM23100066	WING KNOB M6X20	1	

LISTA DE REFACCION

MODELO LS1018L

Pos.	NUMERO	DESCRIPCION	Cant.	NOTA
063	JM23100067	H.S.BOLT M4X12	1	
064	JM23100068	LASER MOVING FIX PLATE	1	
065	JM23100069	LASER CORD CLAMP	1	
066	JM23100070	LASER	1	
067	JM23100071	THIN FLAT WASHER 6	1	
068	JM23100072	CORD CLAMP	1	
069	JM23100073	CORD WRAP BRACKET	1	
070	*****	*****	***	*****
071	JM23100075	LASER BASE	1	
072	JM23100076	H.S.SCREW M4X10	1	
073	JM23100077	CONNECTION SHAFT	1	
074	JM23100078	TORSION SPRING	1	
075	JM23100079	LOCATION TUBE	2	
076	JM23100080	SLIDING BAR	2	
077	JM23100081	BUFFER	1	
078	JM23100082	BEARING BAFFLE	1	
079	JM23100083	LIMITED BRACKET	2	
080	JM23100084	DUSTPROOF RING	1	
081	JM23100085	LINEAR BEARING	3	
082	JM23100086	SLIDING BAR LOCKING KNOB	1	
083	JM23100087	LOCK SCREW M6X8	2	
084	JM23100088	PRESSURE SPRING	1	
085	JM23100089	CROSS HEAD SCREW M5X12	2	
086	JM23100090	SLIDING BAR REAR COVER	1	
087	JM23100091	WRENCH CLIP	1	
089	JM23100092	CUTTING DEPTH ADJUSTABLE PLATE	1	
090	*****	*****	***	*****
091	JM23100094	WAVE SPRING WASHER	1	
092	JM23100095	FLAT WASHER 8X14X1	1	
093	JM23100096	DEPTH ADJUSTABLE PLATE BOLT	1	
094	JM23100097	PIN CAP	1	
095	JM23100098	LINK SLEEVE	1	
096	JM23100099	LINK	1	
097	JM23100350	LOWER BLADE GUARD COMPLETE INC. 98,101,102	1	
098	JM23100101	GUARD RIVET	3	
099	JM23100102	GUARD WHEEL	1	
100	JM23100103	WHEEL LOCK RING	1	
102	JM23100105	LOWER BLADE GUARD PLATE	1	
103	JM23100106	SQUARE NECK BOLT M6X12	1	
104	JM23100107	GUARD SPRING	1	
105	JM23100108	BOWL PLATE	1	
106	JM23100109	GUARD FIX PLATE	1	
107	JM23100110	LOCKNUT M6	1	
108	JM23200006	H.S.BOLT M6X22	4	
109	JM23100112	HEX BOLT FOR GUARD	1	
110	JM23100113	CROSSHEAD SCREW FOR GUARD	1	
111	JM23100114	LINK PIN	1	
112	JM23100115	RETAINING RING 5	1	
113	JM23100116	LOCK SCREW M6X12	2	
114	JM23100117	DUST PORT	1	
115	JM23100118	HEX BOLT M6X25	1	
116	JM23100119	LIMITED KNOB	1	
117	JM23100120	H.S.SCREW M6X15	1	
118	*****	*****	***	*****
119	JM23100122	DUST GUIDE PLATE	1	
120	JM23100123	COPPER CONNECTION PLATE	1	
121	JM23100124	BLADE FLANGE	1	
123	JM23100125	BATTERY BOX	1	
124	JM23100126	LASER CORD TUBE	1	
125	JM23100127	LASER SWITCH COVER	1	

LISTA DE REFACCION

MODELO LS1018L

Pos.	NUMERO	DESCRIPCION	Cant.	NOTA
126	JM23100128	BATTERY BOX COVER	1	
127	JM23100129	LASER SWITCH	1	
128	JM23100130	SELF-TAPPING SCREW 2.9X12	2	
129	JM23100131	ANODE COPPER SHEET	1	
130	JM23100132	CATHODE COPPER SHEET	1	
131	JM23100133	BATTERY BOX SPRING	2	
132	JM23200007	RIGHT SUB FENCE CONNECTION PIN	2	
133	JM23200110	RIGHT SUB FENCE COMPLETE	1	
134	JM23200009	H.S.SCREW WITH DOG POINT M6X10	2	
140	JM23100191	BLADE INNER RING	1	
141	JM23100145	ELASTIC PIN 5X30	2	
142	JM23100154	BIG FLAT WASHER 10	1	
143	JM23100147	BUFFER	1	
145	JM23200012	OUTPUT SHAFT RING 15.88	1	
146	JM23200013	COUNTERSUNK HEAD BOLT M4X10	2	
147	JM23200014	COUNTERSUNK HEAD BOLT M6X15	2	
148	JM23200015	BEARING PRESS PLATE	1	
149	JM23200016	BEARING COVER	1	
150	JM23200017	OUTPUT SHAFT	1	
151	JM23200018	KEY 4X10	1	
152	JM23200019	BEARING 6004	1	
153	JM23200020	GEAR	1	
154	JM23200021	SHAFT WASHER	1	
155	JM23200022	RETAINING RING 14	1	
156	JM23200023	OIL BUSH	1	
157	JM23200130	GEAR BOX COMPLETE INC. 156	1	
158	JM23200025	GEAR LOCK SPRING	1	
159	JM23200026	GEAR LOCK PIN	1	
160	JM23200027	RETAINING RING 10.5X1	1	
161	JM23200028	SHAFT FIX COVER	1	
162	JM23200029	CROSS HEAD SCREW M5X18	2	
163	JM23200030	RETAINING RING 16	1	
164	JM23200031	BEARING 6003	1	
165	JM23100168	BAFFLE RING	1	
166	JM23200001	ROTOR ASSEMBLY	1	
167	JM23200032	BEARING 6001	1	
168	JM23100170	SELF-TAPPING SCREW M5X70	2	
169	JM23100001	STATOR ASSEMBLY	1	
170	JM23100172	ABSORBER RING	1	
171	JM23200120	MOTOR HOUSE COMPLETE INC. 190,191	1	
172	JM23100167	SELF TAPPING SCREW M4X16	2	
173	JM23100166	CORD CLAMP	1	
174	JM23100165	PROTECTION TUBE	1	
175	JM23000164	POWER SUPPLY CORD	1	
176	JM23100169	CAPACITOR	1	
177	JM23200034	RIGHT HANDLE	1	
178	JM23100176	SWITCH HANDLE SPRING	1	
179	JM23100171	TERMINAL POLE	1	
180	JM23100174	SWITCH HANDLE	1	
181	JM23100175	SWITCH LOCK PLATE	1	
182	JM23100177	BRAKE SYSTEM SWITCH KEY	1	
183	JM23100173	SWITCH LOCK BRACKET	1	
184	JM23100178	BRAKE SYSTEM SWITCH	1	
185	JM23100179	ELECTRIC SWITCH	1	
186	JM23200035	CROSS HEAD SCREW M6X50	4	
187	JM23200036	LEFT HANDLE	1	
188	JM23100182	SCREW CAP	2	
189	*****	*****	***	*****
190	JM23100184	CARBON BRUSH HOUSE	2	

LISTA DE REFACCION

PAGINA 4

MODELO LS1018L

Pos.	NUMERO	DESCRIPCION	Cant.	NOTA
191	JM23100185	H.S.SCREW M5X8	2	
192	JM23100186	SOFT STARTER	1	
193	JM23100188	MOTOR REAR COVER	1	
194	JM23100146	H.S.BOLT M4X10	2	
195	JM23100148	H.S.BOLT M6X20 WITH GLUE	1	
196	JM23100150	SEALING RING	1	
197	JM23100149	SPRING WASHER 5	2	
198	JM23100152	WING KNOB,M6X10	1	
199	JM23100151	SPRING WASHER 6	4	
200	JM23100153	BLADE BOLT	1	
201	JM23100190	SPECIAL WASHER 6	4	
202	JM23100016	FLAT WASHER 4	2	
203	JM23100016	FLAT WASHER 4	1	
204	JM23100016	FLAT WASHER 4	1	
205	JM23100016	FLAT WASHER 4	1	
206	JM23100016	FLAT WASHER 4	2	
207	JM23100016	FLAT WASHER 4	2	
208	JM23100016	FLAT WASHER 4	1	
209	JM23100016	FLAT WASHER 4	2	
210	JM23100016	FLAT WASHER 4	1	
211	JM23100016	FLAT WASHER 4	1	
212	JM23100016	FLAT WASHER 4	2	
213	JM23100016	FLAT WASHER 4	2	
214	JM23100033	CROSS HEAD SCREW M4X12	2	
215	JM23100033	CROSS HEAD SCREW M4X12	1	
216	JM23100033	CROSS HEAD SCREW M4X12	1	
217	JM23100033	CROSS HEAD SCREW M4X12	1	
218	JM23100033	CROSS HEAD SCREW M4X12	1	
219	JM23100033	CROSS HEAD SCREW M4X12	1	
220	JM23100033	CROSS HEAD SCREW M4X12	1	
221	JM23100033	CROSS HEAD SCREW M4X12	1	
222	JM23100033	CROSS HEAD SCREW M4X12	6	
223	JM23100033	CROSS HEAD SCREW M4X12	2	
224	JM23100007	FLAT WASHER 5	2	
225	JM23100007	FLAT WASHER 5	2	
226	JM23100007	FLAT WASHER 5	2	
227	JM23100007	FLAT WASHER 5	4	
228	JM23100007	FLAT WASHER 5	2	
229	JM23100007	FLAT WASHER 5	2	
230	JM23100041	FLAT WASHER	3	
231	JM23100041	FLAT WASHER	1	
232	JM23100089	CROSS HEAD SCREW M5X12	1	
233	JM23100089	CROSS HEAD SCREW M5X12	2	
234	JM23100089	CROSS HEAD SCREW M5X12	1	
235	JM23100089	CROSS HEAD SCREW M5X12	1	
236	JM23100015	SPRING WASHER 4	1	
237	JM23100015	SPRING WASHER 4	1	
238	JM23100015	SPRING WASHER 4	2	
239	JM23100015	SPRING WASHER 4	2	
240	JM23100035	ANTI-LOOSEN RING	1	
241	JM23100035	ANTI-LOOSEN RING	2	
242	JM23100019	CROSS HEAD SCREW M4X18	2	
243	JM23100083	LIMITED BRACKET	1	
244	JM23100083	LIMITED BRACKET	1	
245	JM23100084	DUSTPROOF RING	2	
246	JM23100084	DUSTPROOF RING	1	
247	JM23100104	FLAT WASHER 5	3	
248	JM23100009	LOCKNUT M10	1	
249	JM23100009	LOCKNUT M10	1	
250	JM23100034	HEX BOLT M6X28	2	
251	JM23100069	LASER CORD CLAMP	1	

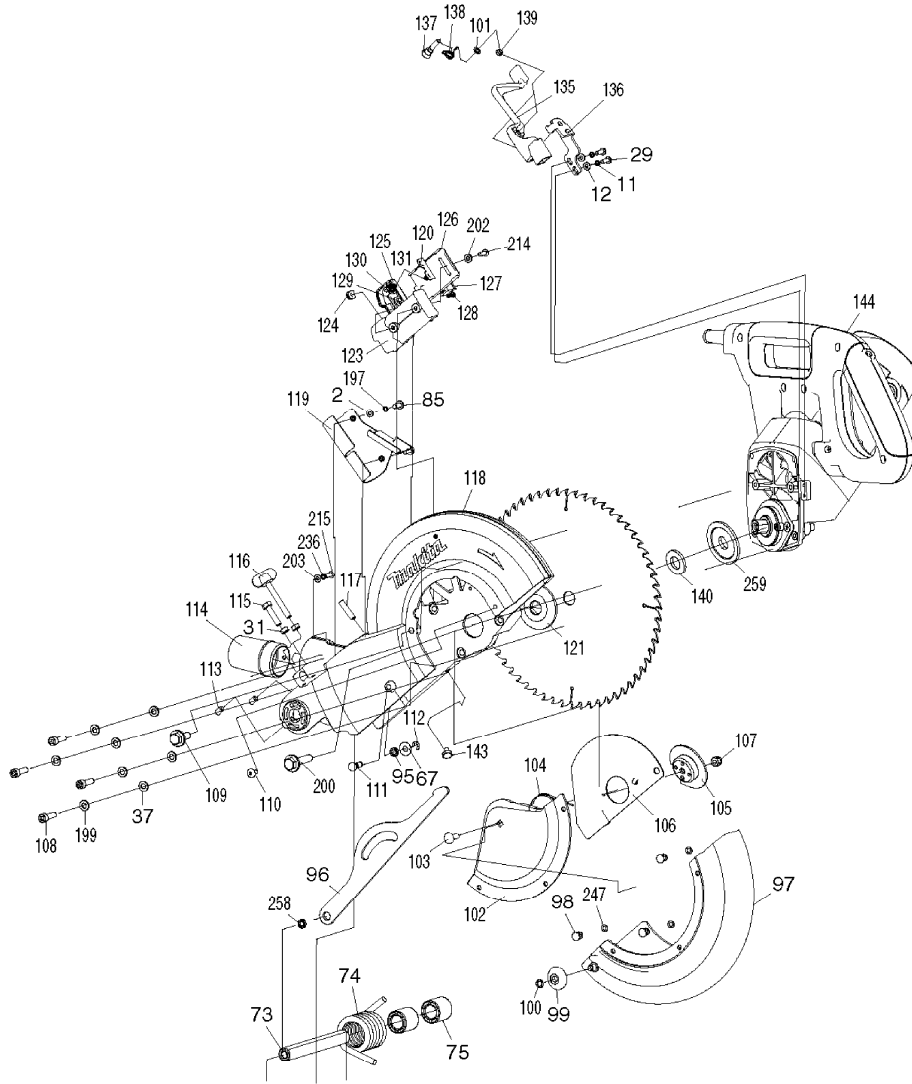
LISTA DE REFACCION

MODELO LS1018L

Pos.	NUMERO	DESCRIPCION	Cant.	NOTA
252	JM23100069	LASER CORD CLAMP	1	
253	JM23100071	THIN FLAT WASHER 6	1	
254	JM23100072	CORD CLAMP	1	
255	JM23100073	CORD WRAP BRACKET	1	
256	JM23100081	BUFFER	1	
257	JM23100082	BEARING BAFFLE	1	
258	JM23100098	LINK SLEEVE	1	
259	JM23100124	BLADE FLANGE	1	
260	JM23100151	SPRING WASHER 6	3	
261	JM23100167	SELF TAPPING SCREW M4X16	5	
262	JM23100167	SELF TAPPING SCREW M4X16	1	
263	JM23100167	SELF TAPPING SCREW M4X16	2	
264	JM23100167	SELF TAPPING SCREW M4X16	2	
265	JM23100006	CROSS HEAD SCREW M5X20	4	
266	JM23100149	SPRING WASHER 5	2	
267	JM23100149	SPRING WASHER 5	2	
268	JM23100149	SPRING WASHER 5	2	
269	JM23100066	WING KNOB M6X20	2	
270	JM23100390	LASER ASSEMBLY	1	
		INC. 64,66,71,72,120,123-131,		
		INC. 194,202,206,214		
A01	*****	*****	***	*****
A02	782230-2	BOX WRENCH 13-3	1	
A03	JM23100004	SAW BLADE	1	
A04	JM27000328	TRIANGLE PLATE	1	
A05	JM23100501	DUST BAG ASSEMBLY	1	
A06	JM23100502	WISE ASSEMBLY	1	

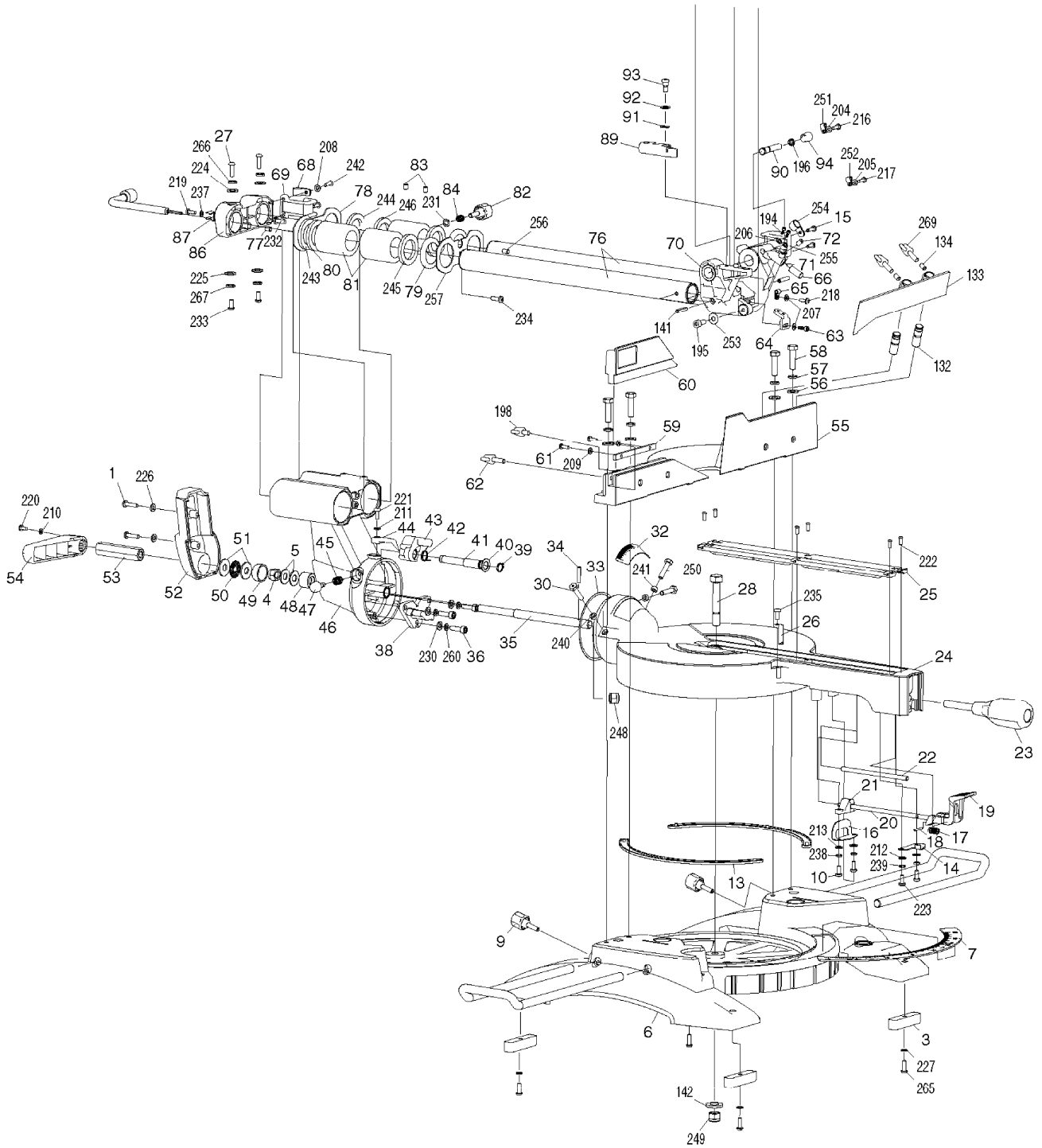
DIAGRAMA

MODELO: LS1018L



DIAGRAMA

MODELO: LS1018L



DIAGRAMA

MODELO: LS1018L

