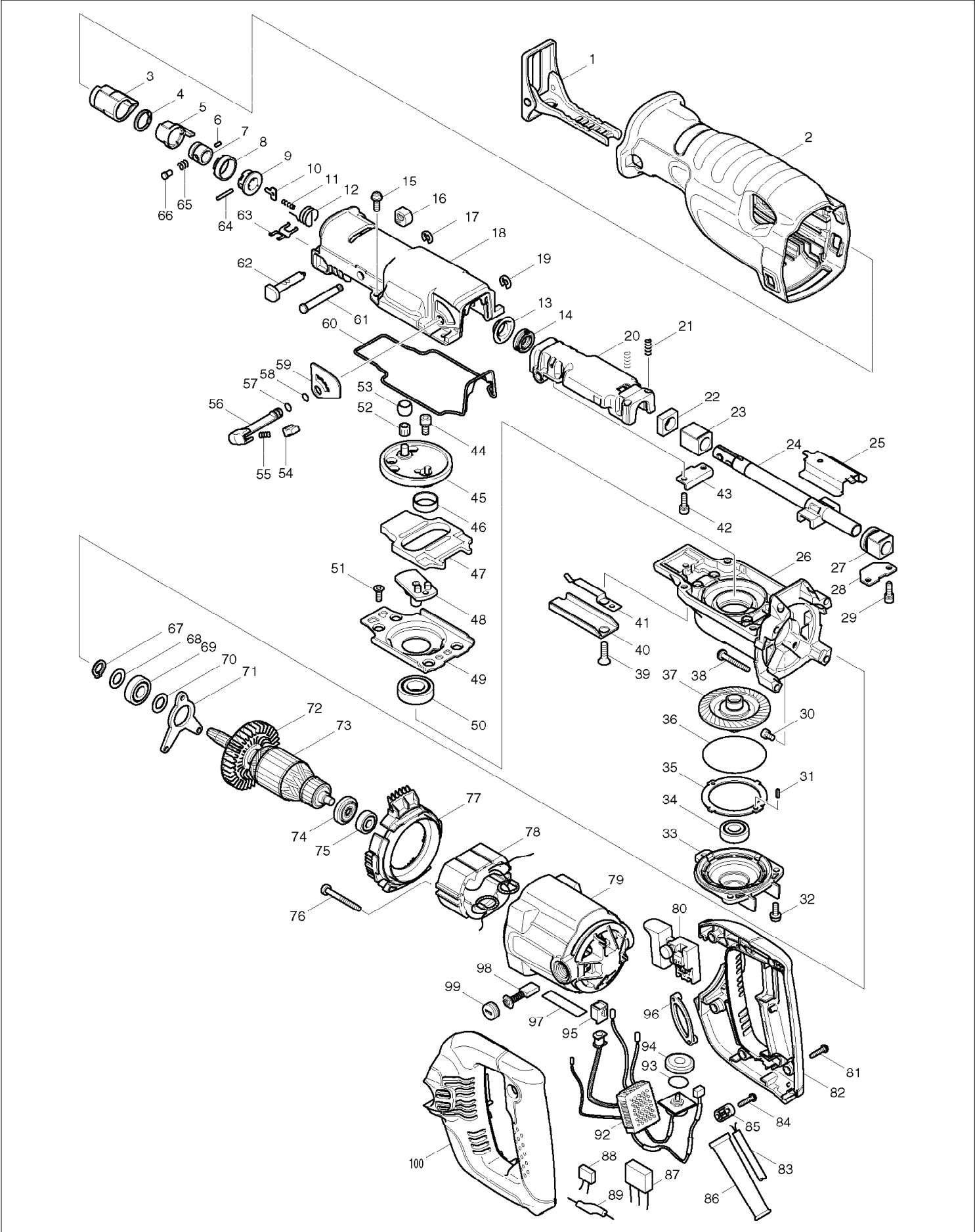


SERVICE DRAWING

MODEL NO. JR3070CT



SPARE PARTS LIST

MODEL NO. JR3070CT

ITEM	PART NO.	DESCRIPTION	QTY	NOTE
001	165406-0	SHOE	1	
002	421904-7	INSULATION COVER	1	
003	424147-0	PROTECTOR	1	
004	257952-8	RETAINING RING (EXT) 18	1	
005	310285-3	DRIVING SLEEVE	1	
006	268094-3	PIN 3	1	
007	331720-8	GUIDE SLEEVE	1	
008	417791-0	DRIVING SLEEVE GUIDE	1	
009	418311-3	SLEEVE	1	
010	345214-7	PUSH PLATE	1	
011	233025-1	COMPRESSION SPRING 2	1	
012	231687-9	TORSION SPRING 17	1	
013	257742-9	SHOULDER SLEEVE 14	1	
014	213174-0	X RING 14	1	
015	911225-0	PAN HEAD SCREW M5X16	4	
016	418806-6	CAP	1	
017	961012-7	STOP RING E-6	1	
018	154551-6	GEAR HOUSING COVER COMPLETE	1	
019	961012-7	STOP RING E-6	1	
020	154502-9	SLIDER SUPPORT COMPLETE	1	
021	233038-2	COMPRESSION SPRING 5	2	
022	423343-7	SEAL PLATE 14	1	
023	214170-1	PLANE BEARING 14A	1	
024	154804-3	SLIDER COMPLETE	1	
025	345487-2	SLIDE PLATE	1	
026	317842-8	GEAR HOUSING	1	
027	154547-7	BEARING COMPLETE	1	
028	345486-4	PLATE B	1	
029	911225-0	PAN HEAD SCREW M5X16	2	
030	265530-0	HEX.SOCKET HEAD BOLT M5X8	3	
031	951051-5	SPRING PIN 3-8	1	
032	911225-0	PAN HEAD SCREW M5X16	3	
033	317844-4	BEARING BOX	1	
034	211101-1	BALL BEARING 6001LLB	1	
035	345488-0	GEAR PLATE	1	
036	213726-7	O RING 62	1	
037	154549-3	TORQUE LIMITER COMPLETE	1	
038	266012-5	TAPPING SCREW 5X35	4	
039	265165-7	TORX SOCKET C.S.HEADSCREW M6X16	1	
040	345479-1	SHOE GUIDE	1	
041	232222-6	LEAF SPRING B	1	
042	911225-0	PAN HEAD SCREW M5X16	2	
043	345485-6	PLATE A	1	
044	265531-8	HEX.SOCKET HEAD BOLT M6X14	1	
045	154545-1	CRANK CAM COMPLETE	1	
046	257265-7	RING 21	1	
047	313121-2	COUNTER WEIGHT	1	
048	154546-9	CRANK BASE COMPLETE	1	
049	345489-8	GUIDE PLATE	1	
050	211251-2	BALL BEARING 6003LLB	1	
051	265148-7	TORX SOCKET HEAD SCREW M5X14	4	
052	212957-5	NEEDLE BEARING 710	1	
054	418991-5	STOPPER	1	
055	231309-1	COMPRESSION SPRING 5	1	
056	272247-8	LEVER 20	1	
057	213021-5	O RING 5	1	
058	213021-5	O RING 5	1	
059	413095-8	PLATE C	1	
060	421899-4	SEAL RING	1	
061	268012-1	PIN 7	1	
062	162236-0	SHIFT BUTTON	1	

SPARE PARTS LIST

MODEL NO. JR3070CT

ITEM	PART NO.	DESCRIPTION	QTY	NOTE
063	232221-8	LEAF SPRING A	1	
064	256158-5	PIN 3	1	
065	233345-3	COMPRESSION SPRING 6	1	
066	256492-3	SHOULDER PIN 5	1	
067	961052-5	RETAINING RING S-12	1	
068	253744-3	FLAT WASHER 12	1	
069	211131-2	BALL BEARING 6001DDW	1	
070	253744-3	FLAT WASHER 12	1	
071	285719-4	BEARING RETAINER A	1	
072	241863-7	FAN 70	1	
073	513603-6	ARMATURE ASS'Y 220-240V INC. 72,74,75	1	
074	681650-6	INSULATION WASHER	1	
075	210029-0	BALL BEARING 608ZZ	1	
076	266056-5	TAPPING SCREW 5X45	2	
077	418817-1	BAFFLE PLATE	1	
078	525718-7	FIELD ASS'Y 220-240V	1	
079	154498-4	MOTOR HOUSING COMPLETE	1	
080	650222-8	SWITCH TG71ARS-1	1	
081	265995-6	TAPPING SCREW 4X18	5	
082	183933-5	HANDLE SET INC. 100	1	
083	665890-4	POWER SUPPLY CORD 1.0-2-4.0	1	
084	265995-6	TAPPING SCREW 4X18	2	
085	687052-4	STRAIN RELIEF	1	
086	682573-1	CORD GUARD 10	1	
087	645253-0	NOISE SUPPRESSOR	1	
088	645006-7	NOISE SUPPRESSOR	1	
089	646049-2	CHOKE COIL	1	
092	631651-4	CONTROLLER	1	
093	213261-5	O RING 17	1	
094	418905-4	DIAL	1	
095	418518-1	SLEEVE	1	
096	421448-7	RUBBER BAND	1	
097	861231-4	JR3070CT NAME PLATE	1	
098	191963-2	CARBON BRUSH CB-303	1	
099	643750-0	BRUSH HOLDER CAP	2	
100	183933-5	HANDLE SET INC. 82	1	
A01	824734-9	PLASTIC CARRYING CASE	1	
A02	B-05038	RECIPRO SAW BLADE FOR METAL	1	
A03	B-05044	RECIPRO SAW BLADE FOR PLYWOOD	1	
A04	B-05153	RECIPRO SAW BLADE FOR WOOD	1	