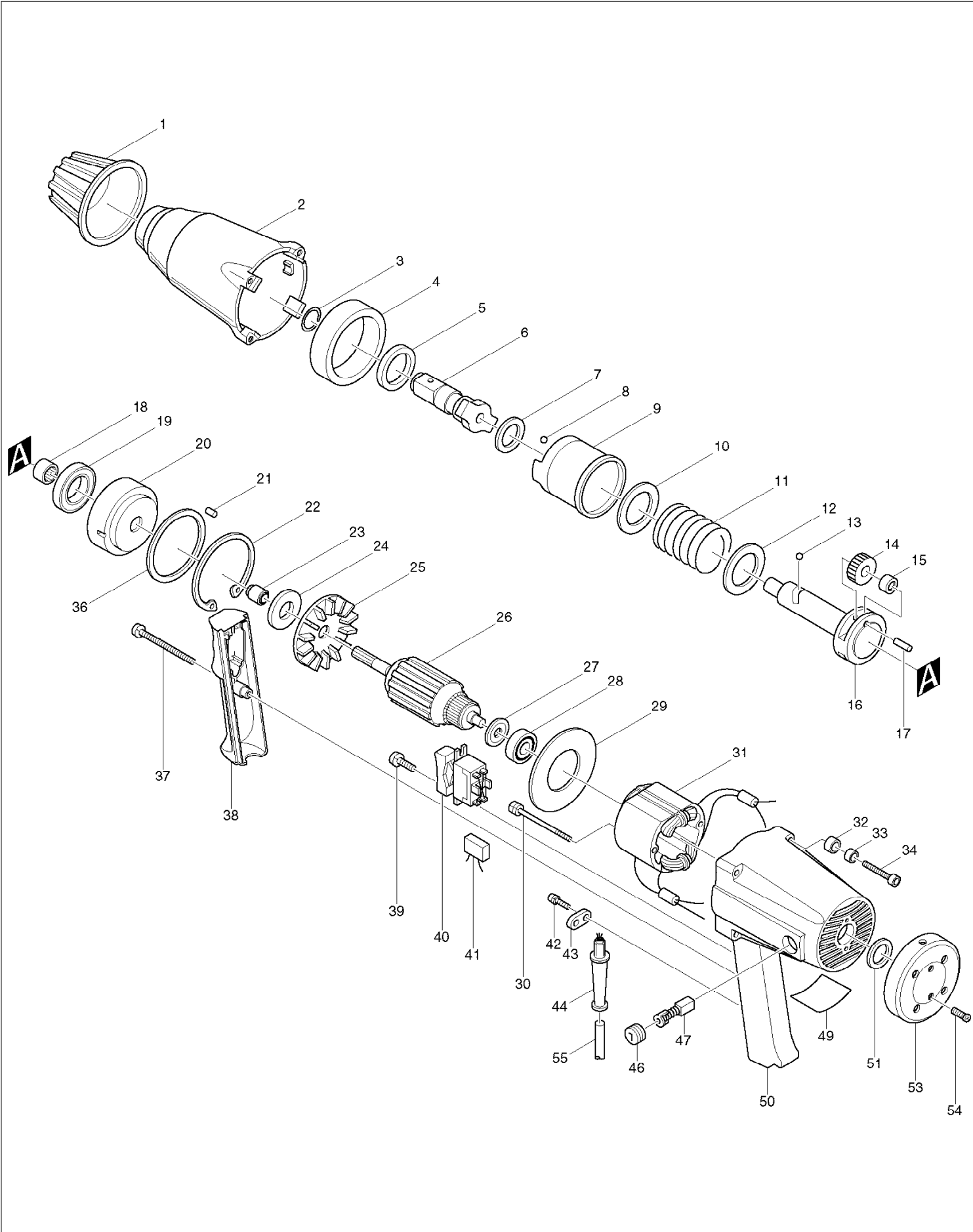


SERVICE DRAWING

MODEL NO. 6906



SPARE PARTS LIST

MODEL NO. 6906

ITEM	PART NO.	DESCRIPTION	QTY	NOTE
001	421112-0	BUMPER	1	
002	156087-1	HAMMER CASE	1	
003	231920-9	RING SPRING 16	1	
004	257040-1	RING 65	1	
005	253939-8	FLAT WASHER 25	1	
006	324231-0	ANVIL	1	
007	261023-5	WASHER 27	1	
008	216008-6	STEEL BALL 4	30	
009	325318-1	HAMMER	1	
010	253764-7	FLAT WASHER 30	1	
011	231135-8	COMPRESSION SPRING 37	1	
012	253765-5	FLAT WASHER 36	1	
013	216009-4	STEEL BALL 7.1	2	
014	221243-3	SPUR GEAR 29	2	
015	212011-5	NEEDLE BEARING 609	2	
016	325322-0	SPINDLE	1	
017	256041-6	PIN 6	2	
018	212151-9	NEEDLE BEARING 1412	1	
019	211441-7	BALL BEARING 3009	1	
020	221242-5	INTERNAL GEAR 65	1	
021	256040-8	PIN 5	4	
022	962352-6	RETAINING RING R-75	1	
023	216103-2	INNER SLEEVE 1016	1	
024	253180-3	FLAT WASHER 10	1	
025	241609-1	FAN 73	1	
026	512883-1	ARMATURE ASS'Y 220V INC. 23-28	1	
027	681613-2	INSULATION WASHER	1	
028	211031-6	BALL BEARING 608LLB	1	
029	413008-9	BAFFLE PLATE	1	
030	265350-2	+ HEX. BOLT M5X70	2	
031	527419-3	FIELD ASS'Y 220V	1	
032	253929-1	CUP WASHER 5	4	
033	262001-8	URETHANE RING 5	4	
034	922262-9	HEX. SOCKET HEAD BOLT M5X40	4	
036	253774-4	FLAT WASHER 65	1	
037	911173-3	PAN HEAD SCREW M4X45	1	
038	414959-9	HANDLE COVER	1	
039	911106-8	PAN HEAD SCREW M4X8	1	
040	651564-3	SWITCH SL220SD-4	1	
041	645206-9	NOISE SUPPRESSOR	1	
042	911133-5	PAN HEAD SCREW M4X18	2	
043	687031-2	STRAIN RELIEF	1	
044	682540-6	CORD GUARD 9.3-90	1	
046	643600-9	BRUSH HOLDER CAP 6-10	2	
047	181030-1	CARBON BRUSH CB-100	1	
049	815088-5	NAME PLATE 6906	1	
050	159414-1	MOTOR HOUSING	1	
051	262010-7	URETHANE RING 18	1	
053	284065-2	REAR COVER	1	
054	922221-3	HEX. SOCKET HEAD BOLT M5X16	2	
055	665865-3	POWER SUPPLY CORD 1.0-2-2.5	1	
400	273474-0	GRIP 37	1	
401	312700-3	GRIP BASE	1	
402	345086-0	BELT	1	
403	251920-3	CAP SQUARE NECK BOLT M6X30	1	
404	134871-4	SOCKET 32-52 ASS'Y	1	
406	182604-1	STEEL CARRYING CASE	1	
500	122464-9	GRIP ASS'Y INC. 400-403	1	
501	134946-9	ANVIL ASS'Y	1	

SPARE PARTS LIST

MODEL NO. 6906

ITEM	PART NO.	DESCRIPTION	QTY	NOTE
		INC. 3,6		
900	911111-5	PAN HEAD SCREW M4X10	2	
902	646325-4	LINE COIL	1	
904	685700-9	SPONGE SHEET	1	
907	654526-0	TERMINAL PLATE	2	
908	819064-1	MAKITA MARK	1	
